

CAST CARBON STEEL BALL VALVES-CLASS 300

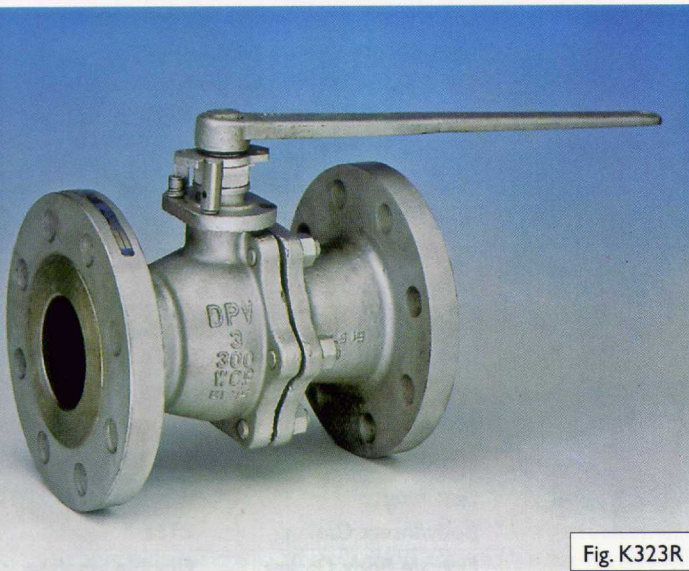
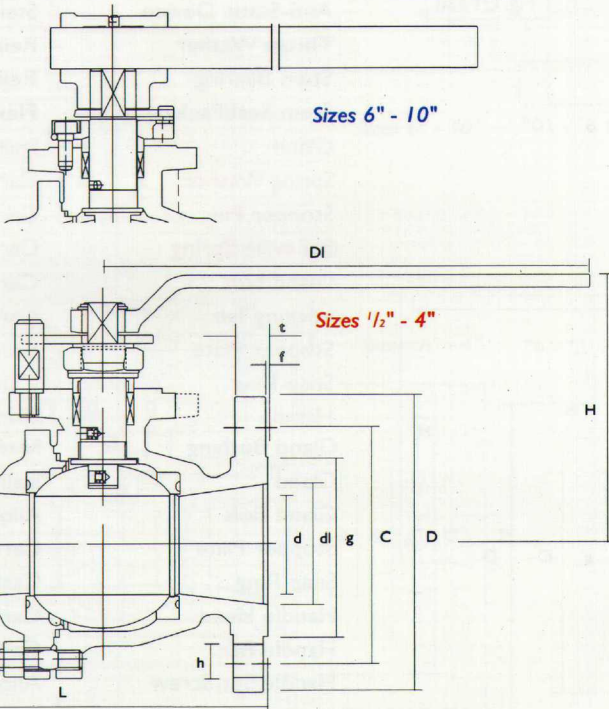


Fig. K323R



- ◆ Two Piece Body Reduced Bore
- ◆ Design to BS 5351. Firesafe.
- ◆ Pressure tested to BS 6755 Pt. 1/API 598
- ◆ Fire tested to BS 6755 Pt. 2/API 6FA
- ◆ RFF to ANSI B16.5
- ◆ End/End to ANSI B16.10
- ◆ Lever operated with Actuator Mounting Pad to ISO 5211
- ◆ Anti-static. Lockable

PART NAME	MATERIAL
Body	A216 Gr WCB
Body End	A216 Gr WCB
Body Nut	A194 Gr. 2HM
Body Stud	A193 Gr. B7M
Body Gasket	Flexible Graphite
Ball	316 Stainless Steel
Seat Rings	Reinforced PTFE
Stem	316 Stainless Steel
Anti-Static Device	Stainless Steel
Thrust Washer	Reinforced PTFE
Stem Bearing	Reinforced PTFE
Stem Seal/Packing	Flexible Graphite
Gland	Stainless Steel 1/2"-4"
Spring Washer	Carbon Steel
Stopper Pin	Carbon Steel
Belleville Spring	Carbon Steel
Gland Nut	Carbon Steel
Locking Tab	Carbon Steel
Stopper Plate	Carbon Steel
Snap Ring	Carbon Steel
Handle	Carbon Steel
Gland Bushing	PTFE 6"-10"
Gland	Stainless Steel
Gland Bolt	Alloy Steel
Stopper Plate	Carbon Steel
Snap Ring	Carbon Steel
Handle Head	Carbon Steel
Handle Bar	Carbon Steel
Handle Set Screw	Alloy Steel

Valve size"	dl	d	H	DI	L	D	End Flange						ISO pad size	Approx Weight (kgs)
							Bolt size		h	g	t	f		
							C	No						
1/2	13	10	115	165	140	95	66.5	4	16	35	14.3	1.6	F05	2
3/4	19	13	115	165	152	117	82.5	4	19	43	15.9	1.6	F05	3
1	25	19	120	175	165	124	89.0	4	19	51	17.5	1.6	F05	4.75
1 1/2	38	25	130	230	190	156	114.5	4	22	73	20.7	1.6	F07	8.5
2	50	38	130	230	216	165	127	8	19	92	22.3	1.6	F07	11.5
3	75	63	153	425	283	210	168	8	22	127	28.6	1.6	F07	24
4	100	75	166	430	305	254	200.0	8	22	157	31.8	1.6	F07	39
6	150	113	260	650	403	318	270.0	12	22	216	36.6	1.6	F12	72
8	200	150	301	825	419	381	330.0	12	25	270	41.3	1.6	F14	133
10	250	200	305	900	457	444	387.5	16	29	324	47.7	1.6	F16	199

Dimensions in millimetres

